



RTT720

MOBILE TRACK-MOUNTED TROMMEL SCREEN

Feed hopper 12.6 yd³ / 9,6 m³

Drum surface (length x dia.) 18' x 6'7" / 5,50 x 2,00 m

Transport weight ~ 44,100 lbs / 20,0 t

**EFFICIENT
SCREENING
TECHNOLOGY**



Rockstar Austria International GmbH | Matzelsdorf 72, 4212 Neumarkt i.M., Austria
Tel.: +43 720 70 1212 | office@rockster.at | www.rockster.at



ROCKSTER®



MOBILE TRACK-MOUNTED TROMMEL SCREEN

RTT720

**EFFICIENT
COMPACT
FLEXIBLE**



2 final fractions

DESIGNED FOR DEMANDING APPLICATIONS

The extremely efficient, but still very compact track-mounted trommel screen RTT720 is applicable for C&D waste as well as for residual waste, quarry overburden, top soil, compost, wood chips or incinerator ash. The high efficient screen allows separation of finest

grain. The RTT720 ensures the optimum in flexibility and mobility with the greatest possible performance coupled with maximum fuel efficiency.

This screen can be ordered track-mobile or wheeled!

FEATURES & BENEFITS

- > Short set-up time
- > Low feeding height
- > Robust steel construction
- > Variable speed for screening drum and all conveyors
- > Optimal transport dimensions
- > Aggressive drum RPM for better results
- > Hydraulically foldable discharge belts
- > Forward & reverse 4-wheel drum and all conveyors
- > Quick drum release & replace system
- > Self-cleaning drum

Applications

- > Produces 2 final fractions as an individual machine
- > Final screening unit after the crusher or shredder to separate the product in 2 final fractions

PERFORMANCE	
Max. feed size:	11 ⁴ / ₅ " / 300 mm *
Max. screen size:	3" / 75 mm
Capacity:	up to 220 st/h - 200 t/h

*depending on material and screen use

HOPPER	
Width:	6'6" / 2,00 m
Length:	12'2" / 3,72
Max. Volume:	12.6 yd ³ / 9,6 m ³

FEEDER BELT	
Width:	40" / 1000 mm
Feed height:	9'4" / 2,85 m
Control:	Variable speed

DRUM	
Length:	18' / 5,50 m
Diameter:	6'7" / 2,00 m
Angle:	0 - 6°

COLLECTION & TRANSFER BELT	
Collection width:	42" / 1050 mm
Transfer width:	32" / 0,80 m
Control:	Variable speed

FINES BELT	
Width:	40" / 1000 mm
Discharge height:	~ 10'2" / 3,10 m @ 30 degrees
Control:	Variable speed

OVERSIZE (tail) BELT	
Width:	35" / 900 mm
Discharge Height:	~ 10'10" / 3,30 m @ 30 degrees
Control:	Variable speed

TRACKS	
Width:	20" / 500 mm
Speed:	0,6 mph - 1 km/h

DRIVE UNIT	
Tier 3A	JCB444 DieselMax - 116HP / 85kW
Tier 4 Final	JCB444 EcoMax - 126HP / 93kW
Diesel tank:	70 US gallon / 265L
Hydraulic tank:	97 US gallon / 370L



OPTIONS

- > Tipping grid
- > Single Vibrating Grid
- > Hopper extensions
- > Punch plate solid drum
- > Radio remote control
- > Wheeled version
- > Stage V - JCB444 EcoMAX - 126HP / 93kW

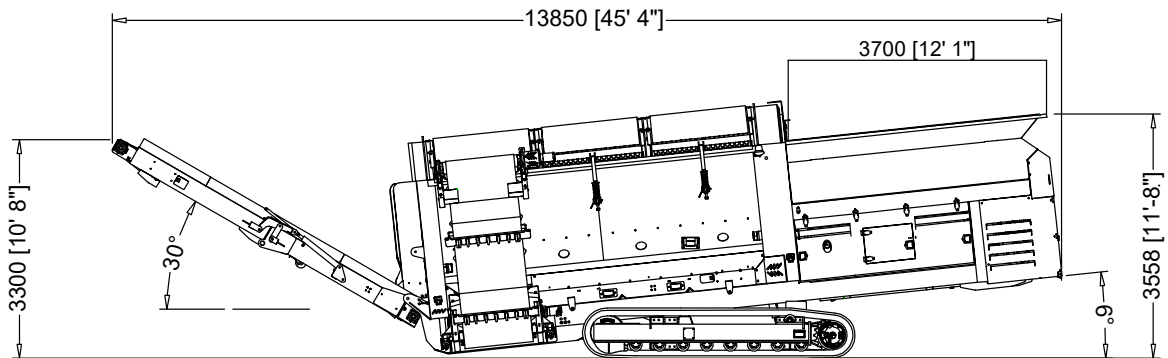
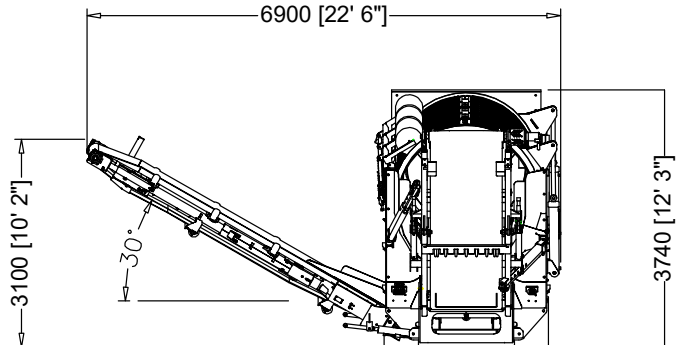


DIMENSIONS

RTT720

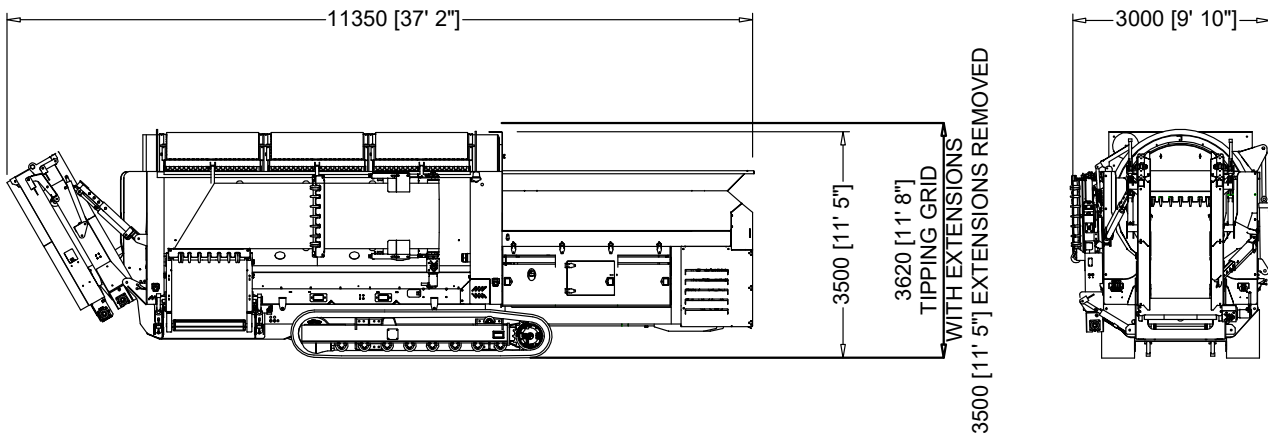
Working dimensions

Length:	45'4" / 13,85 m
Width:	22'6" / 6,90 m
Height:	12'3" / 3,74 m



Transport dimensions

Length:	37'2" / 11,35 m
Width:	9'10" / 3,00 m
Height:	11'4" / 3,50 m
Weight :	~44.100 lbs / 20,0 t



GENERAL INFORMATION



Austrian based manufacturer, Rockster Austria International GmbH has a longlasting reputation and the know-how indemolition and screening industry. The product line includes, among others, track mounted impact & jaw crushers, screening machinery, feeder conveyors and tracked stackers.

“Our mobile crushers and screeners are used for profitable & economical recycling and processing of asphalt, concrete and construction waste, as well as for natural stone. With

innovations like The Original DUPLEX system or double-functional return belt, we repeatedly demonstrate our progressive approach towards improving and developing more efficient recycling & processing methods. ”

Rockster machines are sold in more than 50 countries worldwide. Our sales partner network guarantees the ideal on-site package of product and service in order to support and secure the daily success of our customers.

The Rockster concept

RELIABILITY - maximum reliability due to the highest product quality standards.

OPERATING EFFICIENCY - higher operational efficiency due to optimized transport dimensions (easy transport – no special permits needed in many cases), simple maintenance and handling.

CAPACITY - higher production capacity as a result of special high-speed rotor and enormous power reserves for the drive systems.

KNOWLEDGE - many years of practical experience in advanced machine design creates tremendous value for customers.

SERVICE - round-the-clock service and support is the company hallmark, with rapid response and immediate availability of spare and wear parts.

TECHNOLOGY - using industry-standard brand components assures adherence to the highest technical standard.

ENVIRONMENTALLY FRIENDLY - engineered to meet the highest environmental standards with the installation of low-pollution engines and complex sound suppression systems.

REVENUE - designed to meet customers' revenue and return-on-investment requirements due to low investment and operating costs. Additionally the unique advantages of the DUPLEX system maximize machine utilization with multiple crusher capabilities on one carrier.





We reserve the right to change without prior notice the information provided in this product description.

EFFICIENT SCREENING TECHNOLOGY

Rockster Austria International GmbH | Matzelsdorf 72, 4212 Neumarkt i.M., Austria
Tel.: +43 720 70 1212 | office@rockster.at | www.rockster.at

